

TL-078

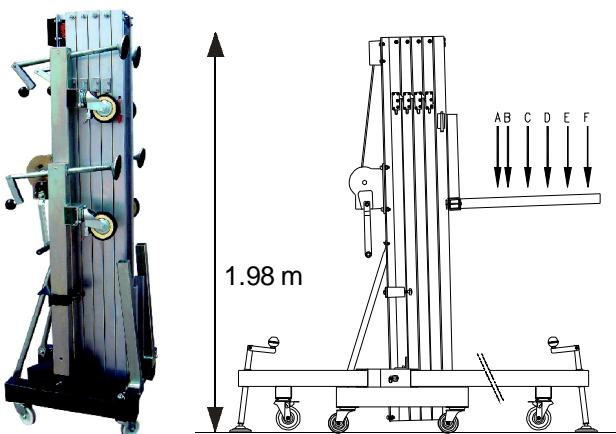


Front load aluminium towerlift with ALS security.

TECHNICAL SPECIFICATIONS

Maximum height	8m (21.3')
Maximum load	280kg (617lb)
Work surface	2.2 x 2.2m (7.2 x 7.2')
Folded height	1.98m (6.5')
Weight	203kg (448lb)
Winch	1200kg
Adaptor	Forks

Distance from the center of the load to the towerlift	Maximum load
A 30 cm	280 Kg
B 40 cm	236 Kg
C 50 cm	204 Kg
D 60 cm	179 Kg
E 70 cm	160 Kg
F 80 cm	145 Kg



Intl. Tel.: +34 961 22 15 21
Tel.: 902 34 10 34 - Fax: + 34 961 22 11 77
Web: www.vmb.es - E-mail: contact@vmb.es

