

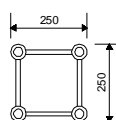
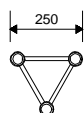
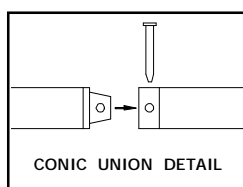
- ▶ Wide range of applications
- ▶ Practical, easy and quick to install
- ▶ Lightweight with excellent load capacities
- ▶ Standard measurements and custom pieces
- ▶ Ideal for decoration
- ▶ Flat, triangular and square versions

VMB TR 25cm trussing is ideal for decoration and can be used in a number of applications.

It is lightweight with excellent loading capabilities, uses conical connectors with pins and R-clips supplied with all sections. Standard measurements are 3m, 2m, 1m with custom lengths and powder coated finishes available upon request.

SPECIFICATIONS:

MATERIAL	Alluminium 6082 T6 Alloy
TUBES	50 x 2 mm
BRACES	14 x 2 mm
LENGHTS	Standard 1m / 2m / 3m

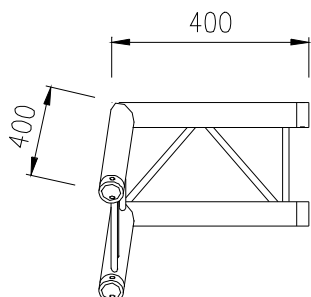


STANDARD LENGTHS WEIGHT

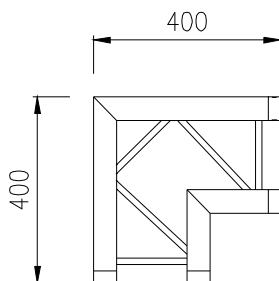
SECTION	LENGTH	WEIGHT
FLAT		
TR-S25/1	1 m	1.6 kg
TR-S25/2	2 m	3.8 kg
TR-S25	3 m	5.2 kg
TRIANGULAR		
TR-E25/1	1 m	8 kg
TR-E25/2	2 m	11.3 kg
TR-E25	3 m	14.9 kg
SQUARE		
TR-C25/1	1 m	9.6 kg
TR-C25/2	2 m	14.9 kg
TR-C25	3 m	19.8 kg

Other dimensions available on demand

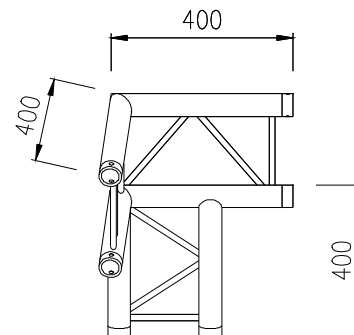
25S-E2



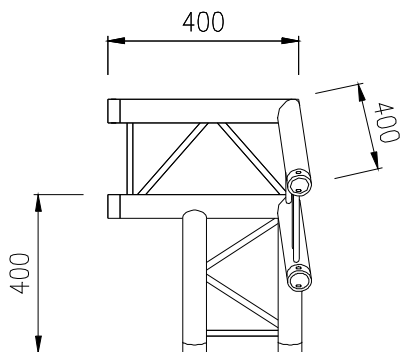
25S-E2P



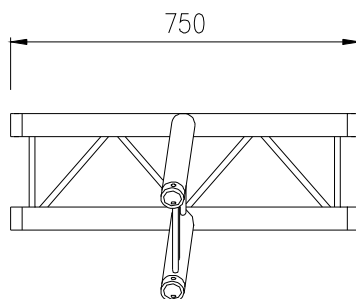
25S-E3R



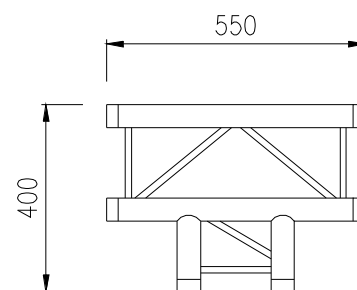
25S-E3L



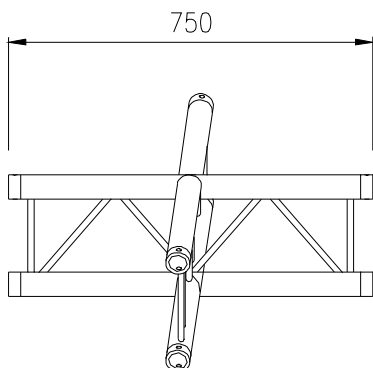
25S-T3



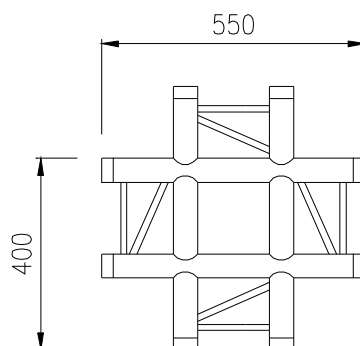
25S-T3P



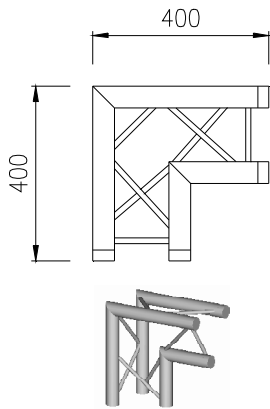
25S-X4



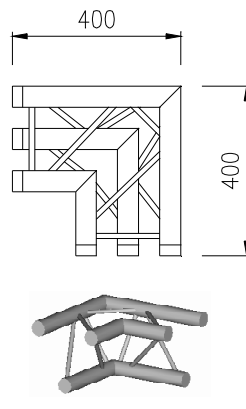
25S-X4P



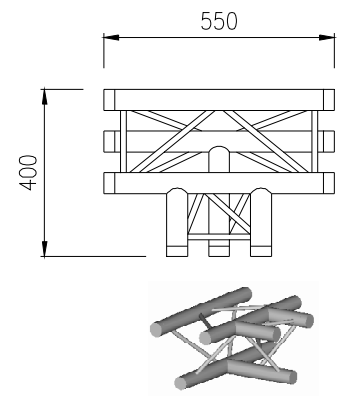
25P-2



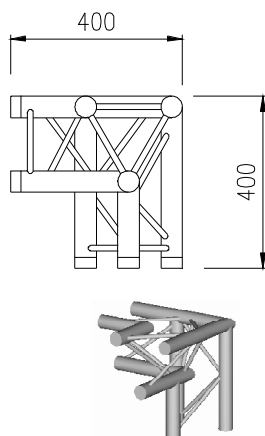
25E-2



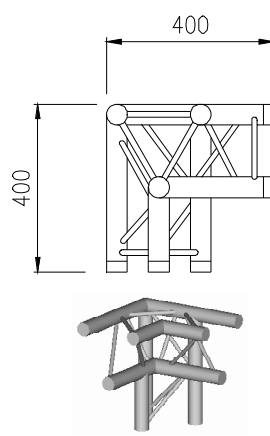
25T-3



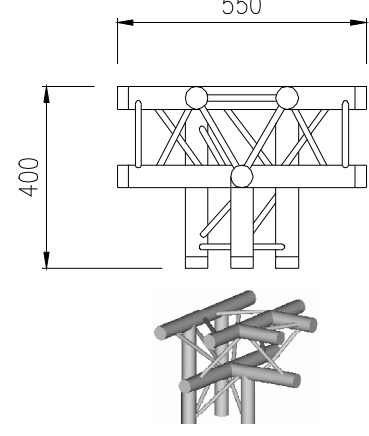
25E-3R



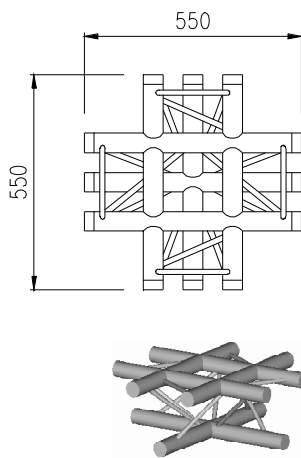
25E-3L



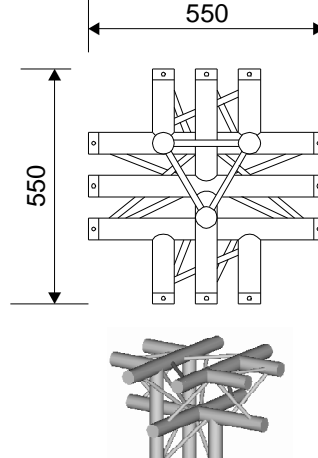
25T-4



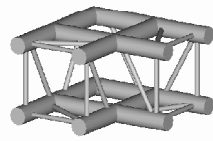
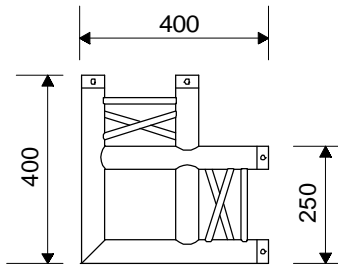
25X-4



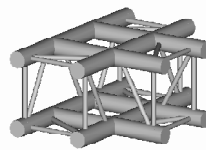
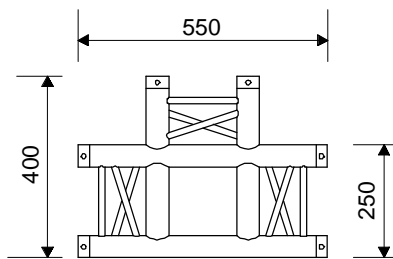
25X-5



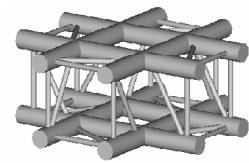
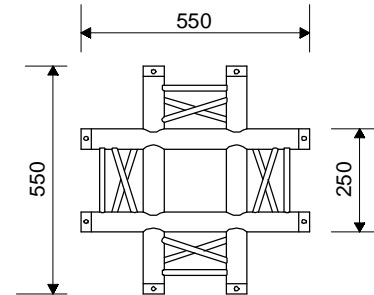
25C-E2



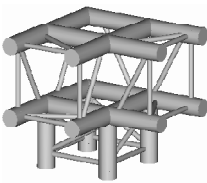
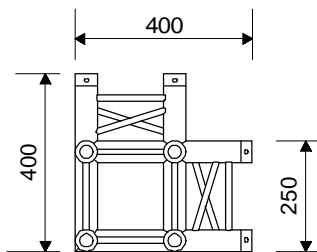
25C-T3



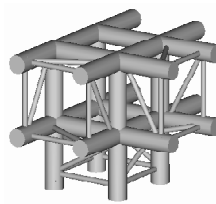
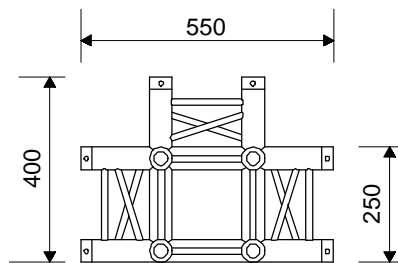
25C-X4



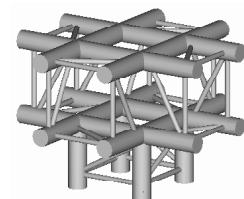
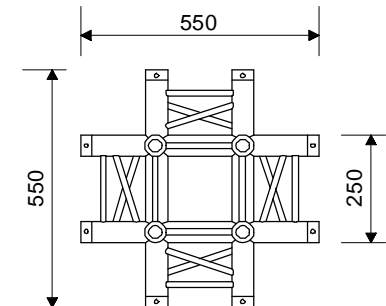
25C-E3



25C-T4



25C-X5





TR-S25

WEIGHT			
25S-E2	2.3 Kg.	25S-E3L	3 Kg.
25S-T3	2.8 Kg.	25S-X4	3.8 Kg.
25S-E3R	3 Kg.		



TR-E25

WEIGHT / PESO			
25E-3L	4.5 Kg.	25X-5	7.1 Kg.
25E-3R	4.5 Kg.	25E-2	3.4 Kg.
25P-2	3.3 Kg.	25X-4	5.8 Kg.
25T-4	5.8 Kg.	25T-3	4.2 Kg.



TR-C25

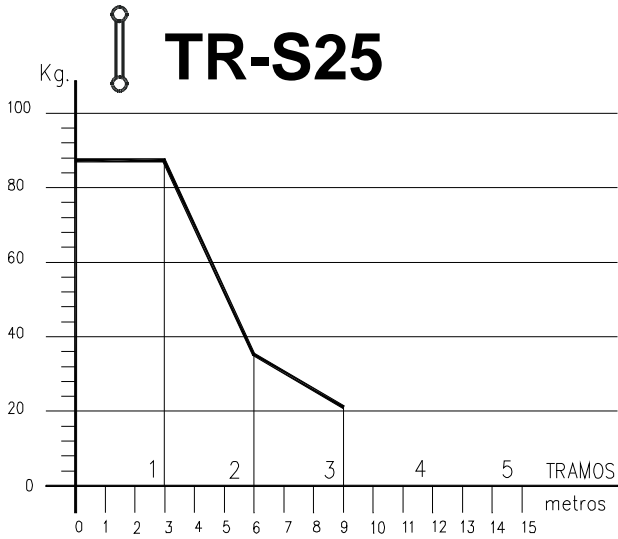
WEIGHT			
25C-E2	3.8 Kg.	25C-E3	5.7 Kg.
25C-E3	5.7 Kg.	25C-T4	7.6 Kg.
25C-E4	7.6 Kg.	25C-X5	9.5 Kg.

DIFFERENT ANGLES AND SPECIAL CORNERS ARE AVAILABLE ON DEMAND.

Load restrictions



MAX. LOAD CENTRED



MAX. LOAD UNIFORMLY DISTRIBUTED

